

SCALE INHIBITOR SYSTEM (P/N 9700901)

PARTS INCLUDED:

- 1 - Bracket, Filter Std. Housing w/ screws (P/N 0505639)
- 1 - Housing, Bowl, and Head (2180243)
- 1 - Wrench, Filter (2180244)
- 1 - Tee 3/4" NPT (2190130)
- 1 - Nipple, Hex 3/4" NPT x 1-1/2" LG (2190144)
- 1 - Scale Inhibitor Element Kit (7000540)
- 1 - Scale Inhibitor System Instruction Sheet (P/N 1010449)

TOOLS:

- Mounting Hardware (Not Provided)
- Drill with bits
- Tape Measure
- Pipe Wrenches
- Adjustable Wrenches
- Level
- Pipe Dope, Thread Seal Tape, or Thread Sealing Cord
- Screwdriver (Flat Blade and Phillips)
- Two Gallon Bucket
- Fresh 6% unscented liquid chlorine bleach

General

If you experience any problems with these instructions, or if any parts are damaged or missing, contact Antunes Technical Service at +1-877-392-7854 (toll-free).

The Scale Inhibitor System provides mineral scale prevention by feeding scale control compounds into the water. It should be installed upstream of any ice making, beverage, or steam equipment.



Do not use this system with water that is microbiologically unsafe or of unknown quality without adequate disinfection installed before or after the system.

Equipment Setup

When installing the system, pay attention to the following guidelines:

- Do not install above electrical equipment.
- Allow space below the Scale Inhibitor Housing for Element change out.

PLUMBING

NOTE: This system is designed to be used on tap water not to exceed 100°F (38°C) or 100 psig (690 kPa). The kit must be connected to the COLD water line. Do not connect the kit to the hot water line.

The Scale Inhibitor System has the following connections:

- Inlet 3/4" NPT
- Outlet 3/4" NPT

When making a plumbing connection to the System, use a back-up wrench on the supporting plumbing. Always use a quality, approved pipe sealant or thread seal tape on the pipe threads. Be careful not to get the pipe sealant inside the pipe when making connections.

DO NOT over tighten the connections. The use of plastic fittings when connecting to the plastic head will reduce the possibility of cracking the head due to over tightening.

If soldered plumbing is used, do not apply heat to, or near, the Head. The use of union (o-ring seal) connections is highly recommended for ease of installation and future servicing.



This equipment must be installed to comply with the basic plumbing code of the Building Officials and Code Administrators, Inc. (BOCA) and the Food Service Sanitation Manual of the Food and Drug Administration (FDA).



Water pressure must not exceed 100 psig. To reduce water pressure, install a water pressure regulator and set the water pressure to below 100 psig.

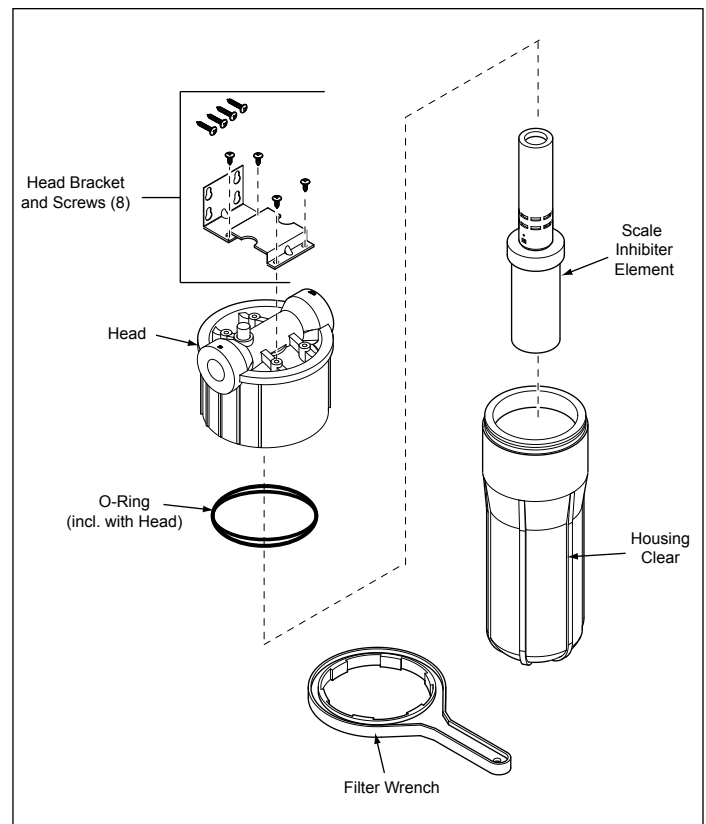


Figure 1. Scale Inhibitor System

SCALE INHIBITOR SYSTEM (P/N 9700901)

INLET WATER PLUMBING

The plumbing leading to the Scale Inhibitor System must be flushed clear of all debris before connecting to the inlet connection of a water system. Hold a bucket at the inlet water line and slowly open the inlet water valve. Allow the pipe to flush until all debris is removed.

MOUNTING THE SYSTEM

Before mounting the Scale Inhibitor System, please consider the items listed below:

- The Housing must be mounted with sufficient access for element replacement. The Housing is 14 inches tall. An additional 2 inches should be allowed below the clear bowl to allow proper access when changing elements.
- The kit must be mounted with hardware capable of supporting 10 lbs or more of weight.
- The mounting bracket supplied with the system must be mounted in the UP position (See Figure 2). The bracket comes with short screws for attaching to the head and long screws for attaching the bracket to the wall.

NOTE: Only the short screws should be used for mounting the Head to the Bracket.

- The Head can be mounted with the inlet on the left or on the right. When the inlet is on the left, the red pressure relief button is on the left. Refer to Figure 2 for help in locating the Inlet and Outlet ports.
- The Scale Stick Inhibitor System kit must be installed upstream of all consumable water access points.
- The inlet water should only be connected to the "INLET" port on the Head. The filtered water should only be connected to the "OUTLET" port on the Head. See Figure 2.

Attach the mounting bracket to the Head **BEFORE** attaching to the wall.

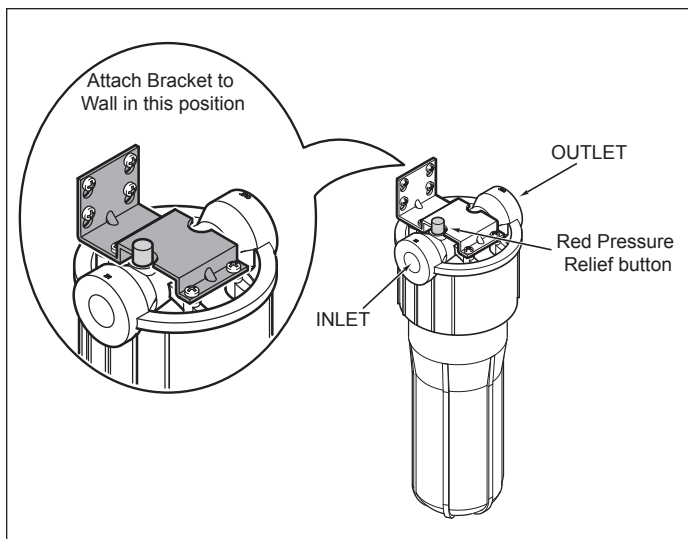


Figure 2. Mounting Bracket (Up Position ONLY)

ATTACHING TO THE INLET

Both the Inlet and Outlet connections have a 3/4" NPT female thread. Be careful not to overtighten a fitting into the Head. Plastic fittings are recommended for connecting to the Head. Use a pipe thread sealant approved for use in drinking water applications with plastic fittings.

Sanitizing the System and Lines

CAUTION
DO NOT connect the Inlet water to the Outlet port on the head.

The plumbing must be sanitized to eliminate possible contamination that may have occurred during the installation process.

Liquid chlorine bleach (regular bleach, unscented 6% sodium hypochlorite) can be used to sanitize the plumbing. The amount of bleach to use depends on the system installed and the amount of plumbing downstream of the Scale Inhibitor System. Generally 10 drops (one-half ml) of bleach is sufficient to sanitize the bowl and associated plumbing.

CAUTION
Make sure the follow any handling or safety instructions supplied with the bleach.

NOTE: When sanitizing the Scale Inhibitor System, make sure the Scale Inhibitor element is not installed or is removed from the housing before sanitizing.

1. Direct the water line from the outlet of the Head to a drain.
2. Unscrew the Housing counter clockwise to remove the Housing from the Head.
3. Pour the liquid chlorine bleach into the bowl.
4. Screw the Housing (containing the bleach) into the Head. Tighten the bowl until it stops. The Housing will come to a hard stop at the end of the thread. Use the filter wrench if necessary.
5. Slowly turn on the water supply and pressurize the system. Allow water to flow out of the Housing until the odor of bleach is present.
6. Turn off the water supply and let the system stand without water flow for at least 15 minutes to allow the bleach to sanitize the pipes.
7. After 15 minutes without water flow, turn on the water supply and flush until the presence of bleach is gone.
8. Shut off the water supply and depressurize the system.

NOTE: Refer to document 1010448, provided with this system, for instructions on replacing and rinsing the Scale Inhibitor Kit.